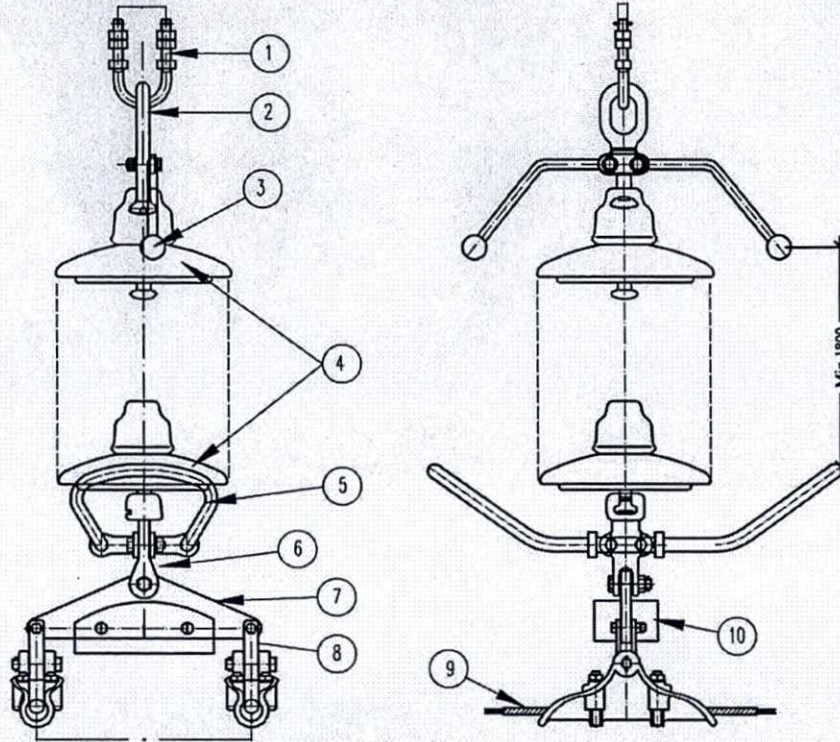


BẢNG KÊ NGUYÊN VẬT LIỆU



Số TT	Tên phụ kiện	Tải trọng phá hoại	Số lượng	Vật liệu chế tạo
1	Bu lông U	70	01	Hiện hữu
2	Vòng treo đầu tròn	70	01	Hiện hữu
3	Mỏ phóng		01	Thép mạ kẽm - Thay mới
4	Cách điện U70BLP	70	15	Gốm/thủy tinh - Thay mới
5	Vòng đỡ thế		01	Thép mạ kẽm - Thay mới
6	Mắt nối	70	01	Hiện hữu
7	Khánh	70	01	Hiện hữu
8	Mắt nối	70	02	Hiện hữu
9	Đệm dây		02	Hiện hữu
10	Tạ bù		01	Hiện hữu

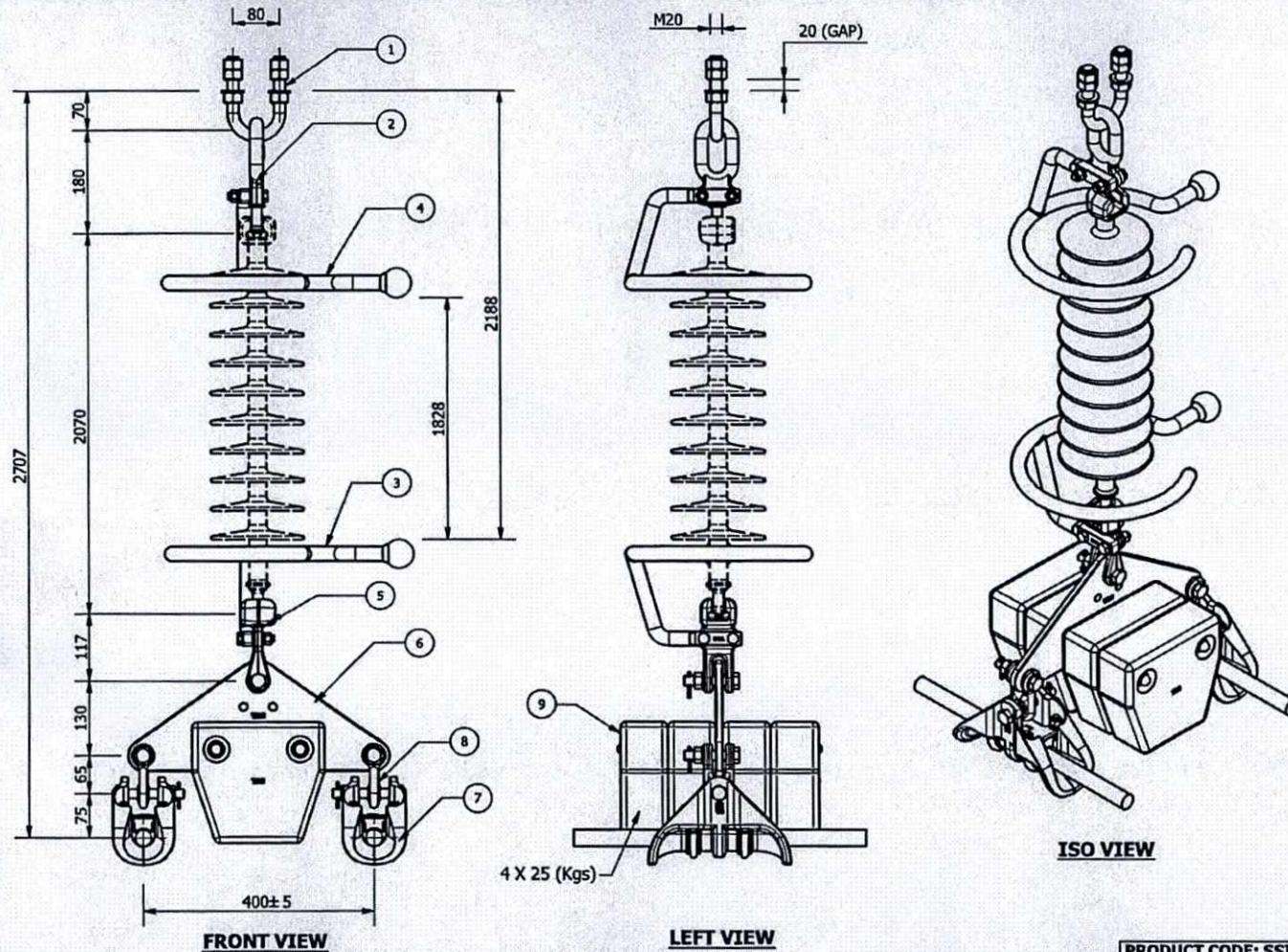
Ghi chú:

- Tất cả các kích thước tính bằng đơn vị mm
- Tải trọng chuỗi cách điện là 70kN
- Số lượng bát: 15 bát loại U70BLP đang tính toán với dòng dò bát là 440mm/kV
- Chuỗi cách điện sử dụng cho dây dẫn 2xACSR 400/51

Dòng dò quy định (mm/kV)	Ký hiệu cách điện	Tổng chiều dài đường dò (mm)
25	DLD.2-70	6600

CÔNG TY TRUYỀN TẢI ĐIỆN 1 TRUYỀN TẢI ĐIỆN NINH BÌNH			ĐƯỜNG DÂY 220KV THÁI BÌNH - TIỀN HẢI - TRỰC NINH	
P.Giám đốc	Đỗ Đình Dũng	<i>[Signature]</i>	CHUỖI ĐỖ ĐƠN DÂY DẪN: DLD.2.70	
Kiểm tra	Lê Xuân Tú	<i>[Signature]</i>		
N.Ư.Đ. Vẽ	Đỗ Xuân Điền	<i>[Signature]</i>	BVTC	2024

THIS DRAWING IS THE PROPERTY OF "TAG CORPORATION" AND SHOULD NOT BE COPIED OR REPRODUCED WITHOUT PROPER AUTHORIZATION.



ITEM CODE F 0 0 2 3 8 0 0 2

- TECHNICAL DATA**
- ASSEMBLY MINIMUM ULTIMATE TENSILE STRENGTH - 70 kN.
  - BALL & SOCKET DESIGNATION - 16MM AS PER IEC - 120.
  - BALL & SOCKET LOCKING BY R-CLIP AS PER IEC-372.  
MADE OF STAINLESS STEEL.
  - FERROUS PARTS - HOT DIP GALVANIZED AS PER ISO 1461.
  - GENERAL TOLERANCE UNLESS OTHERWISE SPECIFIED IS ±3%.
  - TOLERANCE ON LENGTH OF HARDWARE IS ±2%.
  - HARDWARE SUITABLE FOR ACSR/Mz 400/51(Ø27.6) CONDUCTOR.
  - COMPOSITE INSULATOR NOT IN TAG'S SCOPY OF SUPPLY.
  - WEIGHT OF THE STRING - 122.68 kg (APPROX).
  - WEIGHTS INDICATIVE ONLY.
  - ALL DIMENSIONS ARE IN mm.
  - SHORT CIRCUIT CURRENT CAPACITY : 41.1 kA / 1 Sec (Maximum).

REF. DRG.NO: DLD.2.70

Project Name	Package 03: Supply and transport of insulators and fittings, OPGW cable and accessories for 220kV Thai Binh - Tien Hai - Truc Ninh double circuit transmission line
P.O.Ref.No.	-
Purchaser	M/s. NPMB
Contractor	M/s.
Manufacturer	TAG CORPORATION, CHENNAI.

PRODUCT CODE: SSIP/T2/LJ

SL.NO	DESCRIPTION	MATERIAL	DRG. NO	COMP. CODE	ITEM CODE	UTS (KN)	QTY (NOS.)
9	BALANCING WEIGHTS	GALVANIZED STEEL	BW3001	BW3001	G00228023	-	1
8	CLEVIS EYE	GALVANIZED STEEL	CE1400	CE1400	G00209009	70	2
7	ENVELOPE SUSPENSION CLAMP	ALUMINIUM ALLOY	ESC5002	ESC5002	G00214011	70	2
6	TRIANGULAR YOKE PLATE	GALVANIZED STEEL	TYP1208	TYP1208	M00608144	70	1
5	H.H. SOCKET CLEVIS	GALVANIZED STEEL	HSC1601.1	HSC1601.1	G00223037	70	1
4	RING TYPE ARCING HORN	GALVANIZED STEEL	RTAH4202	RTAH4202	M00609107	-	1
3	RING TYPE ARCING HORN	GALVANIZED STEEL	RTAH4203	RTAH4203	M00609108	-	1
2	H.H. BALL LINK	GALVANIZED STEEL	HBL3000.2	HBL3000.2	G00217020	70	1
1	U BOLT	GALVANIZED STEEL	UB2001	UB2001	G00266006	70	1

REV	DATE	DESCRIPTION	APP. BY
2	08.12.2016	ITEM CODE, PRODC CODE, COMP.CODE ADDED	
1	18.10.2016	(ITEM NO : 3 & 4) NEW ARCING HORNS ADDED	

ITEM NAME:  
**220 KV SINGLE SUSPENSION "I" PILOT JUMPER STRING FOR TWIN ACSR/Mz Ø27.6 CONDUCTOR**

DRG.NO: TAG/E/SSIP/T2/LJ

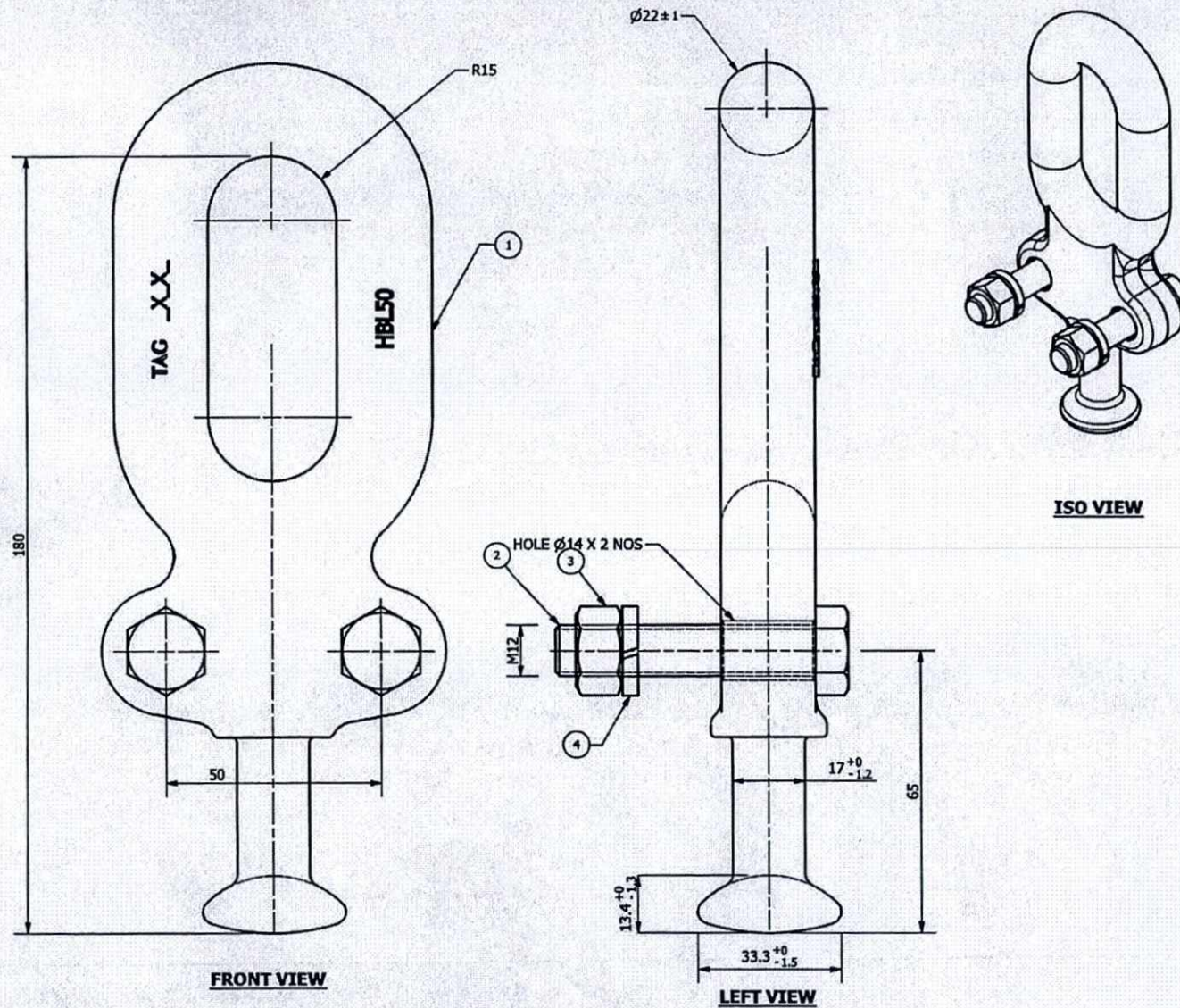
DATE: 07.09.2016  
DRAWN BY: P.R.B  
CKD. BY: R.M  
APP. BY: V.T.C

**TAG CORPORATION**  
CHROME PET, CHENNAI - 600 044  
EXPORT - TAMILNADU, INDIA.

SCALE: 1:8

BILL OF MATERIAL

THIS DRAWING IS THE PROPERTY OF "TAG CORPORATION" AND SHOULD NOT BE COPIED OR REPRODUCED WITHOUT PROPER AUTHORIZATION.



ITEM CODE G 0 0 2 1 7 0 2 0

**TECHNICAL DATA**

1. HOT DIP GALVANIZED AS PER ISO : 1461.
2. BREAKING STRENGTH - 70 KN.
3. BALL DESIGNATION 16 mm AS PER IEC-120.
4. GENERAL TOLERANCE UNLESS OTHERWISE SPECIFIED IS ±3%.
5. TOTAL WEIGHT - 1.47 kg
6. WEIGHT IS INDICATIVE ONLY.
7. ALL DIMENSIONS ARE IN MM.

Project Name Package 03: Supply and transport of insulators and fittings, OPGW cable and accessories for 220kV Thai Binh - Tien Hai - Truc Ninh double circuit transmission line

P.O.Ref.No. -

Purchaser M/s. NPMB

Contractor M/s.

Manufacturer TAG CORPORATION, CHENNAI.

REV	DATE	DESCRIPTION	APP. BY
REVISION HISTORY			

ITEM NAME: H.H. BALL LINK

DRG.NO: HBL3000.2 DATE 01.12.2016

**TAG CORPORATION**  
 CHROMEPET, CHENNAI - 600 044  
 EXPORT TAMILNADU, INDIA.

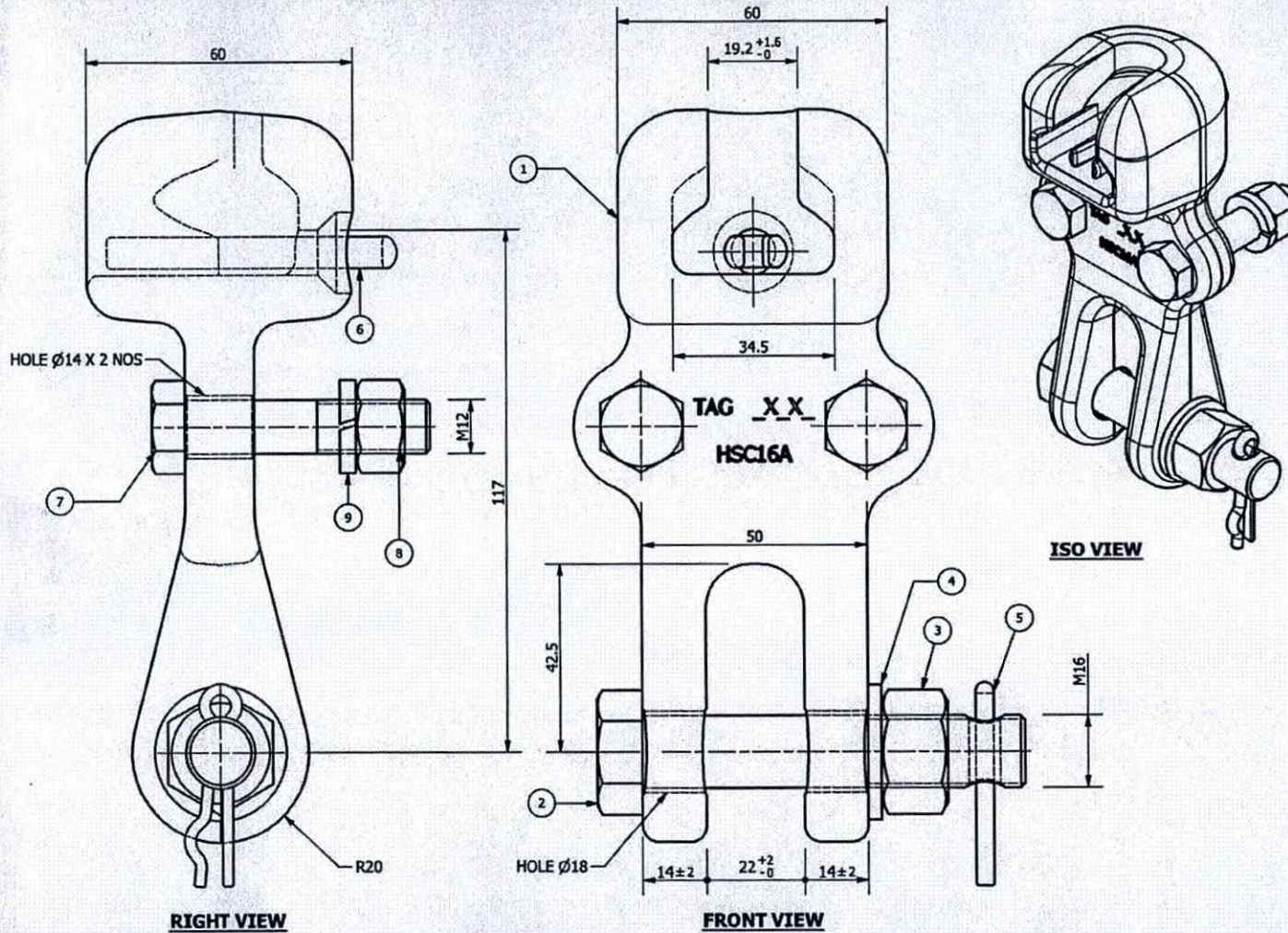
SCALE: 1:1

DATE 01.12.2016  
 DRAWN BY P.P  
 CKD. BY R.M  
 APP. BY V.T.C

ITEM	DESCRIPTION	MATERIAL	ITEM CODE	UTS	QTY (NOS.)
4	SPRING WASHER (M12)	SPRING STEEL	B00211002	-	2
3	NUT (M12)	GALVANIZED STEEL (P.C.5.0)	-	-	2
2	BOLT (M12X60)-FT	GALVANIZED STEEL (P.C.5.6)	B00202013	-	2
1	H.H. BALL LINK	GALVANIZED STEEL	M00505005	70	1

**BILL OF MATERIAL**

THIS DRAWING IS THE PROPERTY OF "TAG CORPORATION" AND SHOULD NOT BE COPIED OR REPRODUCED WITHOUT PROPER AUTHORIZATION.



ITEM CODE	G	0	0	2	2	3	0	3	7
-----------	---	---	---	---	---	---	---	---	---

- TECHNICAL DATA**
- HOT DIP GALVANIZED AS PER ISO : 1461.
  - BREAKING STRENGTH - 70 KN
  - SOCKET DESIGNATION 16B mm AS PER IEC-120.
  - GENERAL TOLERANCE UNLESS OTHERWISE SPECIFIED IS ±3%.
  - TOTAL WEIGHT - 1.85 kg.
  - WEIGHT IS INDICATIVE ONLY.
  - ALL DIMENSIONS ARE IN MM.

Project Name	Package 03: Supply and transport of insulators and fittings, OPGW cable and accessories for 220kV Thai Binh - Tien Hai - Truc Ninh double circuit transmission line
P.O.Ref.No.	-
Purchaser	M/s. NPMB
Contractor	M/s.
Manufacturer	TAG CORPORATION, CHENNAI.

ITEM	DESCRIPTION	MATERIAL	ITEM CODE	UTS	QTY (NOS.)
9	SPRING WASHER (M12)	SPRING STEEL	B00211002	-	2
8	NUT (M12)	GALVANIZED STEEL (P.C.5.0)	-	-	2
7	BOLT (M12X55)	GALVANIZED STEEL (P.C.5.6)	B00202011	-	2
6	R-CLIP (R/C001)	S.S (AISI - 304)	B00208001	-	1
5	SPLIT PIN(SP/001)	S.S (AISI - 304)	B00210001	-	1
4	FLAT WASHER (M16)	GALVANIZED STEEL	B00205004	-	1
3	NUT (M16)	GALVANIZED STEEL (P.C.5.0)	-	-	1
2	BOLT (M16X85)	GALVANIZED STEEL (P.C.5.6)	B00202057	-	1
1	H.H. SOCKET CLEVIS	GALVANIZED STEEL	M00507024	70	1

**BILL OF MATERIAL**

REV	DATE	DESCRIPTION	APP. BY
REVISION HISTORY			
ITEM NAME:			
H.H. SOCKET CLEVIS			

DRG.NO: HSC1601.1

**TAG CORPORATION**  
 CHROME PET, CHENNAI - 600 044  
 EXPORT TAMILNADU, INDIA.

DATE: 01.12.2016  
 DRAWN BY: P.P  
 CKD. BY: R.M  
 APP. BY: V.T.C

SCALE: 1:1